



# SURGE ARRESTERS FOR LED STREET LIGHT RL(3MV+G)/320-10/S

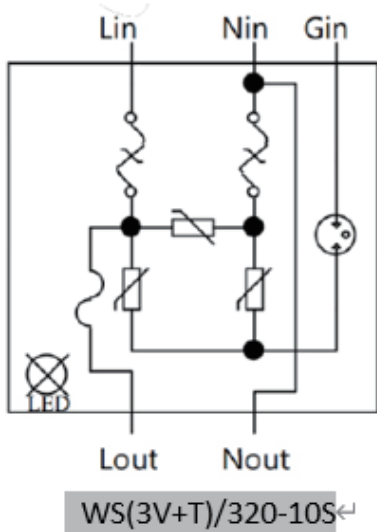


**This low voltage surge protector RL...-10/S is a compact surge protection device (SPD) especially for outdoor LED light and LED street light lightning & surge protection. "**

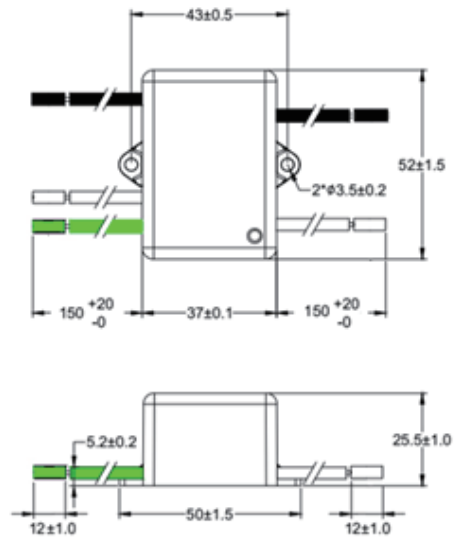
- Surge arrester comply with IEC 61643-11 and UL 1449 4th.
- Designed to protect single phase LED light applications or other electrical and electronic facility.
- Fail-safe protection to prevent a hazard to the light or facility due to end-of-life of internal component or extreme failure conditions which may caused by abnormal line voltage fluctuation etc.
- Offering full mode protection to L-PE, L-N, N-PE.
- Max Discharge Current up to 10kA 8/20 us and Open Circuit Voltage Uoc to 10kV.
- Device can be installed in series or parallel to power supply
- T model with no leakage current to ground (or protective conductor) to avoid malfunction of upstream residual current protection device.
- LED fault indication
- IP67 waterproof enclosure.

### ■ Technical data

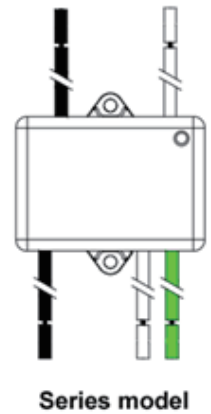
Type	RL(3MV+G)/320-10/S	
In accordance with	IEC61643-11:2011; UL1449 4th	
Category IEC/VDE/UL	II+III/C+ D/ Type 4 CA	
Connection Type	Series connection	
Rated load current IL	5A	
Thermal disconnecter	internal	
Power system (single phase)	110V~277V , 50/60Hz	
Max. continuous operating voltage Uc (AC/DC)	320V/420V	
Mode of Protection	Full mode protection	
Nominal discharge current(8/20) In	5kA	
Max. discharge current(8/20) Imax	10kA	
Open circuit voltage Uoc	10kV	
Measured limited voltage (MLV) UL	L-N	1320V
	L-G	1750V
	N-G	1620V
Voltage protection level (Up) IEC	L-N	1200V
	L-G	1800V
	N-G	1800V
Residual current Ipe	0	
Backup fuse(only required if not already provided in mains)	16A gL/gG	
Failure indication/Stauts	LED On= normal    LED Off=Failure or power off	
Operating temperature range Relative Humidity	- 40°C ~ + 70°C    ≤95% Non Condensing	
connection wire	14AWG(L=Black; N=White; PE=Green)	
Enclosure material	thermoplastic; extinguishing degree UL94 V-0	
Degree of protection	IP67 (Waterproof)	
Dimension	52x37x25.5 mm	
Altitude	≤2000m	



Basic circuit diagram



Dimension drawing Unit (mm)



■ Installation

